

**Description**

**GU10 LED - 7W - Dim**

**Technical Specifications**

LED Power(W)	7
Fitting	GU10
CIE Flux code: 88 99 100 100 100	<b>3000K</b> 700Lm
Beam angle (°)	60°
Power factor	0.8
CRI	>80
IP	20
Inpute (Vac)	230V
Energy Classe	F
LED chip	COB
LED Brand	Forepi Taiwan
Number of LEDs	1
Alum. Housing	Silver/Black
Driver incl.	Yes
Driver intern/extern	intern
Warranty (Years)	5
Dimmable (flicker free)	fase cutoff/TRIAC
Dimensions(mm)	50x62.3
Life time (U)	50.000
LB-Standard	L90B10(55°)

01/2024

**Available in :**

**GU10 7W 3000K 60° (Silver)**

**GU10 7W 3000K 30° (Silver)**

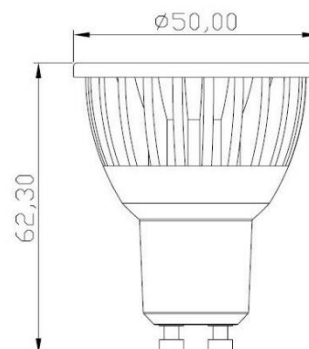
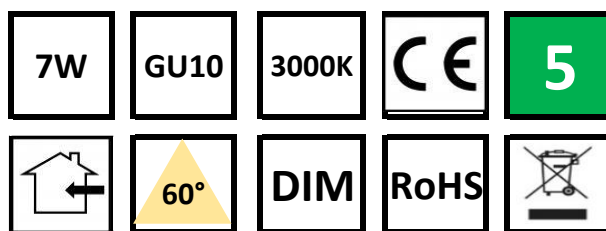
**GU10 7W 3000K 60° (Black)**

**Article No.**

**3000-007-3000**

**3000-007-3000 30**

**3000-007-3000 BL**



*Durable – Delightfull – LED*