

Description

GU10 LED - 7W - Dim

Technical Specifications

LED Power(W)	7
Fitting	GU10
CIE Flux code: 88 99 100 100 100	2700K 690Lm
Beam angle (°)	60°
Power factor	0.8
CRI	>80
IP	20
Inpute (Vac)	230V
Energy Classe	F
LED chip	COB
LED Brand	Forepi Taiwan
Number of LEDs	1
Alum. Housing	Silver/Black/white
Driver incl.	Yes
Driver intern/extern	intern
Warranty (Years)	5
Dimmable (flicker free)	fase cutoff/TRIAC
Dimensions(mm)	50x62.3
Life time (U)	50.000
LB-Standard	L90B10(55°)

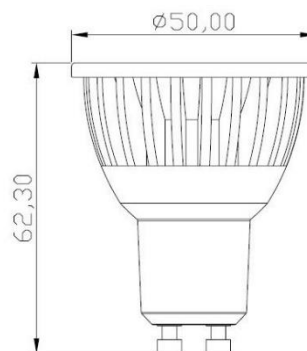
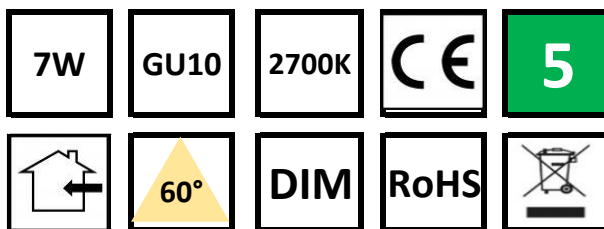
01/2024

Available in :

- GU10 7W 2700K 60° (Silver)**
- GU10 7W 2700K 30° (Silver)**
- GU10 7W 2700K 15° (Silver)**
- GU10 7W 2700K 60° (Black)**
- GU10 7W 2700K 60° (White)**

Article No.

- 3000-007-2700**
- 3000-007-2700 30**
- 3000-007-2700 15**
- 3000-007-2700 BL**
- 3000-007-2700 WH**



Durable – Delightfull – LED