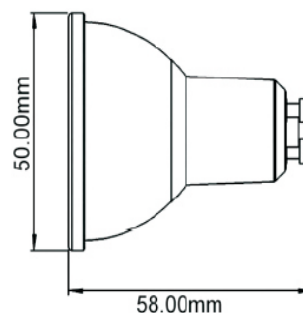
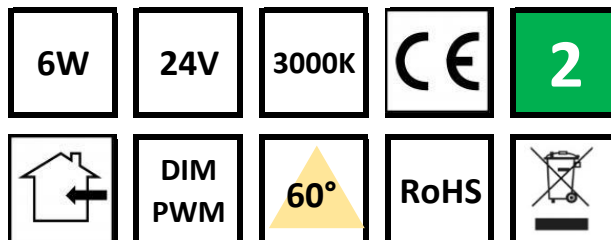


Description

LED GU10 24VDC

Technical Specification

LED power (W)	6W
Mounting method:	GU10 Fitting
Lumen output	2700K 700Lm 3000K 720Lm
UGR	<19
Beam Angle (°)	60° (lens)
CRI	Ra>90
IP	IP20
DC Inpute (Vac)	24VDC
Power factor	>0,95
LED chip	CREE
Dimmable:	PWM
Material	Cold Forging Alu.
Power coating finish:	Silver
Warranty	2 years
Lifetime (Hr)	L80B20: 50000Hrs
Dimension: Ø x h (mm)	Ø50xH58mm
Weight:	52g
Ideal for DC 24V KNX, DALI, LOXONE, DMX, TUYA, CASAMBI	
01/2025	



Durable – Delightfull – LED

