

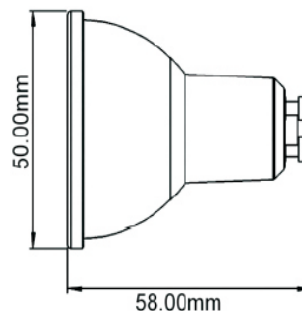
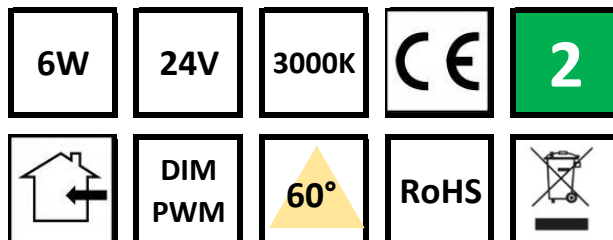
Description

**LED GU10 24VDC**

Technical Specification

LED power (W)	6W
Mounting method:	GU10 Fitting
Lumen output	<b>2700</b> 700Lm <b>3000K</b> 720Lm
UGR	<19
Beam Angle (°)	60° (lens)
CRI	Ra>90
IP	IP20
DC Inpute (Vac)	24VDC
Power factor	>0,95
LED chip	CREE
Dimmable:	PWM
Material	Cold Forging Alu.
Power coating finish:	Black or White
Warranty	2 years
Lifetime (Hr)	L80B20: 50000Hrs
Dimension: Ø x h (mm)	Ø50xH58mm
Weight:	52g

Ideal for DC 24V KNX, DALI, LOXONE, DMX, TUYA, CASAMBI  
01/2024



*Durable – Delightfull – LED*



*Durable – Delightfull – LED*

---

Alltronic bv  
Ringlaan 72  
3630 Maasmechelen

**T** +32 (0)89 51 43 55  
**E** ledsmeet@alltronic.be  
**W** www.alltronic.be

**BTW/TVA** BE0444.840.218  
**BNP Paribas fortis** BE17 0011 8812 6021  
**BIC** GEBABEBB

