

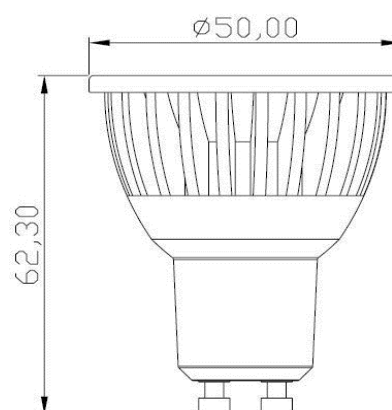
Description

LED GU10 - 7W - 2700K white

Technical Specifications

7W	GU10	2700K	CE
IP20	60°	DIM	RoHS

LED power (W)	7
Fitting	GU10
Lumen output (Lm)	670
Lumen/Watt	96
CCT(K°)	2700
Beam angle(°)	60°
Power factor	0.8
CRI	>80
IP	20
Inpute (Vac)	230V
Energy classe	A+
LED chip	COB
LED Brand	Forepi Taiwan
number of LEDs	1
Housing	Alum. white coating
Driver incl.	Yes
Driver intern/extern	intern
Warranty (years)	5
Dimmable (flicker free)	fase cutoff/TRIAC
Dimensions (mm)	50x62.3
live time (Hr)	40.000



Advice consumer Price (excl. VAT)

12/2020

Durable – Delightfull – LED