

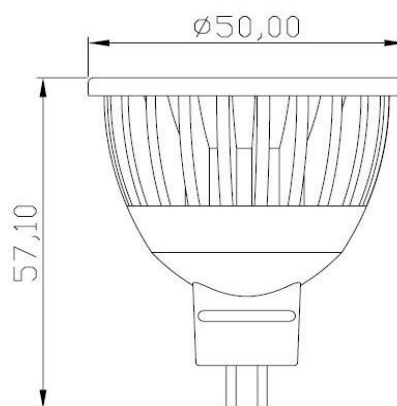
**Description**

**LED MR16 - 7W - Dim - 4000K**

7W	GU5.3	4000K	CE
IP20	60°	DIM	RoHS

**Technical Specifications**

LED Power (W)	7
Fitting	GU5.3
Lumen output (Lm)	620
Lumen/Watt	89
CCT (K°)	4000K° or 2700K°
Beam Angele (°)	60
Power factor	0.6
CRI	>80
IP	20
Inpute(DC/AC)	12
Energy Classe	A+
LED chip	COB
LED Brand	Forepi Taiwan
number of LEDs	1
cable	/
Driver incl.	Yes
Driver intern/extern	intern
warranty (years)	2
Dimmable	Yes
Dimensions (mm)	50x57.10
Life time (Hr)	40.000



12/2020

*Durable – Delightfull – LED*

