

**Description**

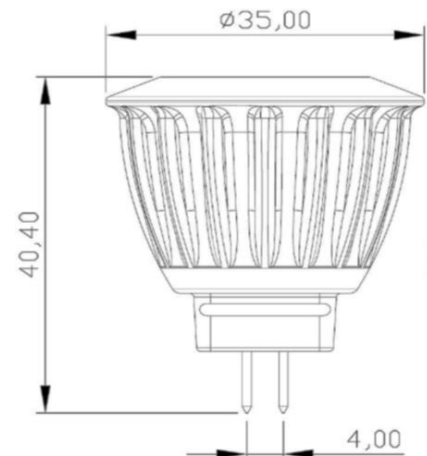
**LED MR11 - 3W - 2700K**

**Technical Specifications**

3W	GU4	2700K	CE
IP20	25°	<del>DIM</del>	RoHS

LED Power (W)	3
Fitting	GU4
Lumen output (Lm)	220
Lumen/Watt	74
CCT(K°)	2700
beam Angle	25°
Power factor	0.9
CRI	>80
IP	20
DC Inpute	12
Energy Classe	A+
LED chip	COB
LED Brand	Forepi Taiwan
Number of LEDs	1
Driver incl.	Yes
Driver intern/extern	intern
Warranty (years)	5
Dimmable	No
Dimesions (mm)	35x40,4
Life time(Hr)	30.000

12/2020



*Durable – Delightfull – LED*

