

Description

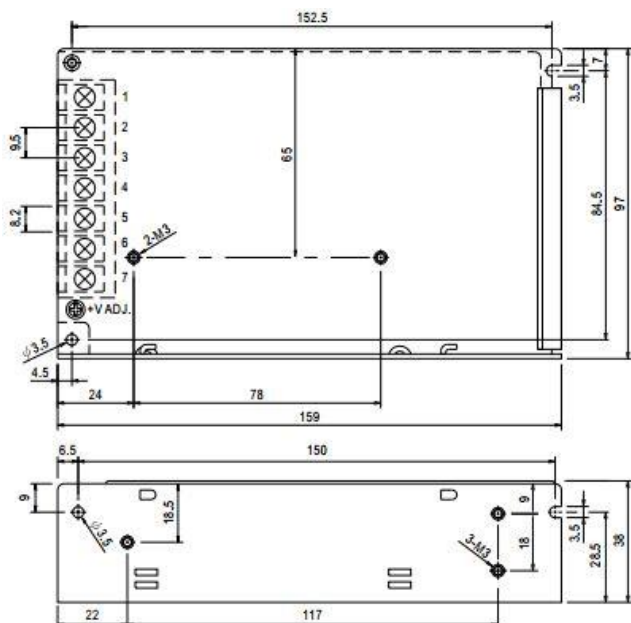
Power Supply LED strip - 24V - 4,5A

Technical Specifications

RATED POWER	100W
AC INPUTE	85-264VAC
DC VOLTAGE output	24V
RATED CURRENT	4,5A
IP value	20
Brand	Mean Well
Warranty (years)	3
DIMENSION	129*97*30mm (L*W*H)
WORKING TEMP.	-30C° - +70C°
Protection: Short Circuit, Overload, Over voltage	



06/2022



Durable – Delightfull – LED

Alltronic bv
Rिंगlaan 72
3630 Maasmechelen

T +32 (0)89 51 43 55
E ledsmeet@alltronic.be
W www.alltronic.be

BTW/TVA BE0444.840.218
BNP Paribas fortis BE17 0011 8812 6021
BIC GEBABEBB

